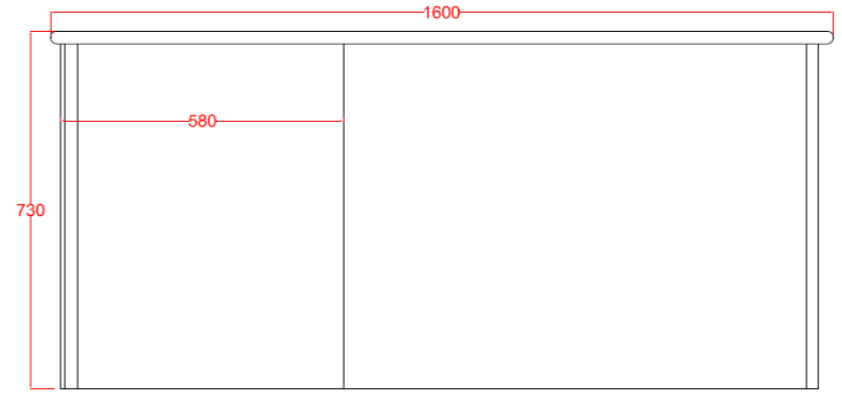
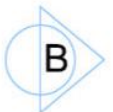
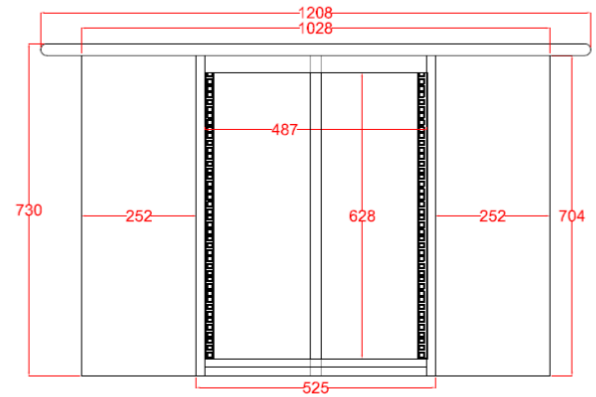



PLAN



ELEVATION A



ELEVATION B

	Design Documentation <small>Pictures for illustration purposes ONLY</small>			
	<h1>UR7 Studio Woodwork</h1>			
© Broadcast Radio Limited 2017 1-2 Maritime House, Maritime Business Park, Livingstone Road, Hessle, East Yorkshire, HU13 OEG.support@psquared.net +44(0)1482 350 700	JOB NUMBER	Drawn By Liam Burke	DWG NO NA	REV 1
SCALE	Not To Scale		SHEET	1 OF 1